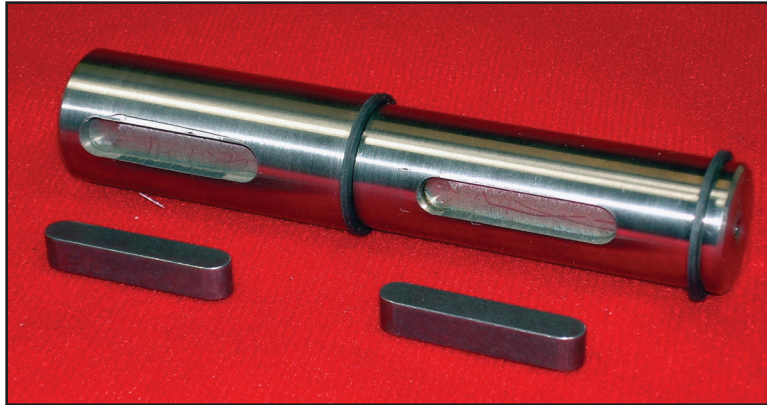


KK

# Feather Keys

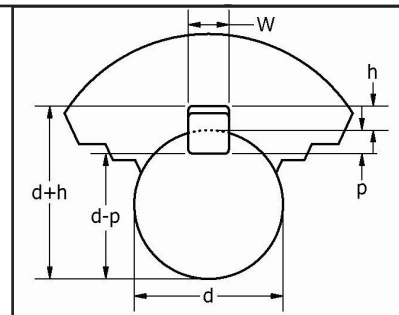
Superior to all other Keys



Choose **rino** Feather Keys because you get:

- Easy production assembly over other keys
- Stays in place, cannot slip out
- Quick, hassle free field replacement
- No set screw to tighten
- Use with existing components
- Inch and metric Feather keys
- Same torque as similar sized square and rectangular keys

The Feather key is similar to the parallel key except that they are radiused on both ends and machined to tight length tolerances. The mating key slot in the shaft is machined with an end mill cutting tool and machined to the same length as the Feather key.



**rino** Mechanical Components Inc.

216 North Main St. • Freeport, NY 11520 • 516-867-5665 fax: 516-867-5656  
www.rinomechanical.com sales @rinomechanical.com

**Superior to all other Keys**

Inch - Steel + 316 Stainless

**Inch - Steel C45 Class 1 Clearance Fit**

Part Number	+0.000 -0.002		+0.000 -0.005		+0.000 -0.010	
	W	H	L	h	p	
KK125-500	0.125	0.125	0.500	0.060	0.070	
KK125-750	0.125	0.125	0.750	0.060	0.070	
KK125-1000	0.125	0.125	1.000	0.060	0.070	
KK125-1250	0.125	0.125	1.250	0.060	0.070	
KK125-1500	0.125	0.125	1.500	0.060	0.070	
KK125-1750	0.125	0.125	1.750	0.060	0.070	
KK125-2000	0.125	0.125	2.000	0.060	0.070	
KK187-500	0.187	0.187	0.500	0.086	0.106	
KK187-750	0.187	0.187	0.750	0.086	0.106	
KK187-875	0.187	0.187	0.875	0.086	0.106	
KK187-1000	0.187	0.187	1.000	0.086	0.106	
KK187-1250	0.187	0.187	1.250	0.086	0.106	
KK187-1500	0.187	0.187	1.500	0.086	0.106	
KK187-1750	0.187	0.187	1.750	0.086	0.106	
KK187-2000	0.187	0.187	2.000	0.086	0.106	
KK187-2250	0.187	0.187	2.250	0.086	0.106	
KK187-2500	0.187	0.187	2.500	0.086	0.106	
KK250-500	0.250	0.250	0.500	0.115	0.140	
KK250-750	0.250	0.250	0.750	0.115	0.140	
KK250-1000	0.250	0.250	1.000	0.115	0.140	
KK250-1250	0.250	0.250	1.250	0.115	0.140	
KK250-1500	0.250	0.250	1.500	0.115	0.140	
KK250-1750	0.250	0.250	1.750	0.115	0.140	
KK250-2000	0.250	0.250	2.000	0.115	0.140	
KK250-2250	0.250	0.250	2.250	0.115	0.140	
KK250-2500	0.250	0.250	2.500	0.115	0.140	
KK250-2750	0.250	0.250	2.750	0.115	0.140	

**Inch - 316 Stain. St. Class 1 Clearance Fit**

Part Number	+0.000 -0.002		+0.000 -0.005		+0.000 -0.010	
	W	H	L	h	p	
KK125-500SS	0.125	0.125	0.500	0.060	0.070	
KK125-750SS	0.125	0.125	0.750	0.060	0.070	
KK125-1000SS	0.125	0.125	1.000	0.060	0.070	
KK125-1250SS	0.125	0.125	1.250	0.060	0.070	
KK125-1500SS	0.125	0.125	1.500	0.060	0.070	
KK125-1750SS	0.125	0.125	1.750	0.060	0.070	
KK125-2000SS	0.125	0.125	2.000	0.060	0.070	
KK187-500SS	0.187	0.187	0.500	0.086	0.106	
KK187-750SS	0.187	0.187	0.750	0.086	0.106	
KK187-875SS	0.187	0.187	0.875	0.086	0.106	
KK187-1000SS	0.187	0.187	1.000	0.086	0.106	
KK187-1250SS	0.187	0.187	1.250	0.086	0.106	
KK187-1500SS	0.187	0.187	1.500	0.086	0.106	
KK187-1750SS	0.187	0.187	1.750	0.086	0.106	
KK187-2000SS	0.187	0.187	2.000	0.086	0.106	
KK187-2250SS	0.187	0.187	2.250	0.086	0.106	
KK187-2500SS	0.187	0.187	2.500	0.086	0.106	
KK250-500SS	0.250	0.250	0.500	0.115	0.140	
KK250-750SS	0.250	0.250	0.750	0.115	0.140	
KK250-1000SS	0.250	0.250	1.000	0.115	0.140	
KK250-1250SS	0.250	0.250	1.250	0.115	0.140	
KK250-1500SS	0.250	0.250	1.500	0.115	0.140	
KK250-1750SS	0.250	0.250	1.750	0.115	0.140	
KK250-2000SS	0.250	0.250	2.000	0.115	0.140	
KK250-2250SS	0.250	0.250	2.250	0.115	0.140	
KK250-2500SS	0.250	0.250	2.500	0.115	0.140	
KK250-2750SS	0.250	0.250	2.750	0.115	0.140	

Class 1 fit per ANSI B17.1-1967 (R2003)



**KK**

# Feather Keys

**Superior to all other Keys****Metric - Steel + 316 Stainless****Metric - Steel C45**

Part Number	h9 W	h11 H	+0.00 -0.25		
			L	h	p
KK2-10	2	2	10	1.0	1.2
KK2-14	2	2	14	1.0	1.2
KK2-20	2	2	20	1.0	1.2
KK2-22	2	2	22	1.0	1.2
KK3-8	3	3	8	1.4	1.8
KK3-10	3	3	10	1.4	1.8
KK3-12	3	3	12	1.4	1.8
KK3-15	3	3	15	1.4	1.8
KK3-20	3	3	20	1.4	1.8
KK3-30	3	3	30	1.4	1.8
KK3-40	3	3	40	1.4	1.8
KK4-8	4	4	8	1.8	2.5
KK4-10	4	4	10	1.8	2.5
KK4-12	4	4	12	1.8	2.5
KK4-15	4	4	15	1.8	2.5
KK4-16	4	4	16	1.8	2.5
KK4-20	4	4	20	1.8	2.5
KK4-25	4	4	25	1.8	2.5
KK5-10	5	5	10	2.3	3.0
KK5-12	5	5	12	2.3	3.0
KK5-14	5	5	14	2.3	3.0
KK5-16	5	5	16	2.3	3.0
KK5-18	5	5	18	2.3	3.0
KK5-20	5	5	20	2.3	3.0
KK5-25	5	5	25	2.3	3.0
KK5-30	5	5	30	2.3	3.0
KK5-35	5	5	35	2.3	3.0
KK5-40	5	5	40	2.3	3.0
KK5-45	5	5	45	2.3	3.0
KK5-50	5	5	50	2.3	3.0
KK6-12	6	6	12	2.8	3.5
KK6-14	6	6	14	2.8	3.5

**Metric - Steel C45**

Part Number	h9 W	h11 H	+0.00 -0.25		
			L	h	p
KK6-16	6	6	16	2.8	3.5
KK6-18	6	6	18	2.8	3.5
KK6-20	6	6	20	2.8	3.5
KK6-25	6	6	25	2.8	3.5
KK6-28	6	6	28	2.8	3.5
KK6-30	6	6	30	2.8	3.5
KK6-32	6	6	32	2.8	3.5
KK6-45	6	6	45	2.8	3.5
KK6-50	6	6	50	2.8	3.5
KK8-7-18	8	7	18	3.3	4.0
KK8-7-20	8	7	20	3.3	4.0
KK8-7-22	8	7	22	3.3	4.0
KK8-7-25	8	7	25	3.3	4.0
KK8-7-30	8	7	30	3.3	4.0
KK8-7-40	8	7	40	3.3	4.0
KK8-7-50	8	7	50	3.3	4.0
KK10-8-20	10	8	20	3.3	5.0
KK10-8-28	10	8	28	3.3	5.0
KK10-8-30	10	8	30	3.3	5.0
KK10-8-36	10	8	36	3.3	5.0
KK10-8-40	10	8	40	3.3	5.0
KK10-8-45	10	8	45	3.3	5.0
KK10-8-50	10	8	50	3.3	5.0
KK12-8-36	12	8	36	3.3	5.0
KK12-8-40	12	8	40	3.3	5.0
KK12-8-45	12	8	45	3.3	5.0
KK12-8-50	12	8	50	3.3	5.0
KK12-8-56	12	8	56	3.3	5.0
KK12-8-60	12	8	60	3.3	5.0
KK14-9-50	14	9	50	3.8	5.5
KK14-9-70	14	9	70	3.8	5.5

**Metric - 316 Stainless Steel**

Part Number	h9 W	h11 H	+0.00 -0.25		
			L	h	p
KK2-20SS	2	2	20	1.0	1.2
KK3-10SS	3	3	10	1.4	1.8
KK3-20SS	3	3	20	1.4	1.8
KK4-10SS	4	4	10	1.8	2.5
KK4-18SS	4	4	18	1.8	2.5
KK4-20SS	4	4	20	1.8	2.5
KK4-25SS	4	4	25	1.8	2.5
KK5-10SS	5	5	10	2.3	3.0
KK5-20SS	5	5	20	2.3	3.0
KK5-25SS	5	5	25	2.3	3.0
KK5-30SS	5	5	30	2.3	3.0
KK6-10SS	6	6	10	2.8	3.5
KK6-20SS	6	6	20	2.8	3.5
KK6-25SS	6	6	25	2.8	3.5
KK6-30SS	6	6	30	2.8	3.5
KK8-7-20SS	8	7	20	3.3	4.0
KK8-7-25SS	8	7	25	3.3	4.0
KK8-7-30SS	8	7	30	3.3	4.0
KK8-7-35SS	8	7	35	3.3	4.0
KK10-8-20SS	10	8	20	3.3	5.0
KK10-8-25SS	10	8	25	3.3	5.0
KK10-8-30SS	10	8	30	3.3	5.0
KK10-8-35SS	10	8	35	3.3	5.0
KK12-8-20SS	12	8	20	3.3	5.0
KK12-8-25SS	12	8	25	3.3	5.0
KK12-8-30SS	12	8	30	3.3	5.0
KK12-8-35SS	12	8	35	3.3	5.0

Class 1 fit per ANSI B17.1-1967 (R2003)


**rino** Mechanical Components Inc.

216 North Main St. • Freeport, NY 11520 • 516-867-5665 fax: 516-867-5656

www.rinomechanical.com sales@rinomechanical.com