

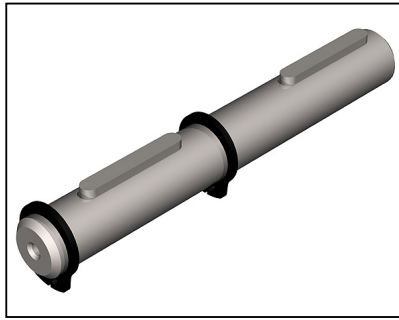
GEARBOXES

Gearbox Output Shafts Single & Double Sided

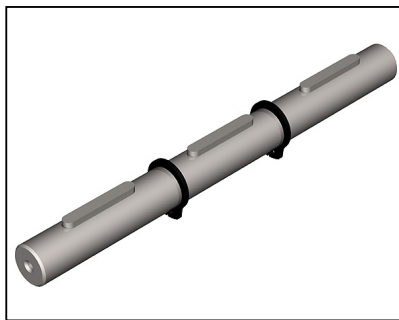
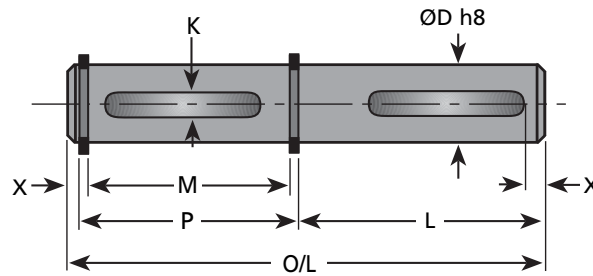
For E Type Right Angle Helical Reducers

e-cad
Drawings
Available

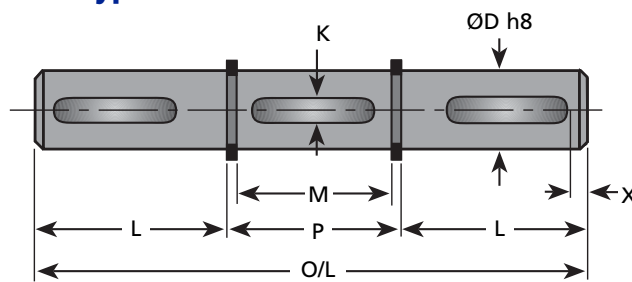
E-X
E-DX



E-X Type Single Sided



E-DX Type Double Sided



Part Number	ØD	O/L	M	P	X	L	K
SINGLE SIDED							
E20-X	6	68.80	40	41.60	3.00	25	K2 x 22
E30-X	10	98.60	54	56.20	3.50	40	K3 x 20
E40-X	15	127.10	72	74.20	4.00	50	K5 x 30
E50-X	20	153.80	88	90.60	4.50	60	K6 x 32
E60-X	25	182.30	106	108.60	5.00	70	K8 x 40
DOUBLE SIDED							
E20-DX	6	91.60	40	41.60	3.00	25	K2 x 22
E30-DX	10	136.20	54	56.20	3.50	40	K3 x 20
E40-DX	15	174.20	72	74.20	4.00	50	K5 x 30
E50-DX	20	210.60	88	90.60	4.50	60	K6 x 32
E60-DX	25	248.60	106	108.60	5.00	70	K8 x 40

Material

Stainless Steel 303 shaft, steel keys and circlips.

Other Info.

Steel keys and circlips included. E-X & E-DX suitable for E Type Gearboxes.

Stainless keys and circlips may be available in certain sizes at extra cost.

Special shafts to your own design are available.



sales@rinomechanical.com



www.rinomechanical.com

rino