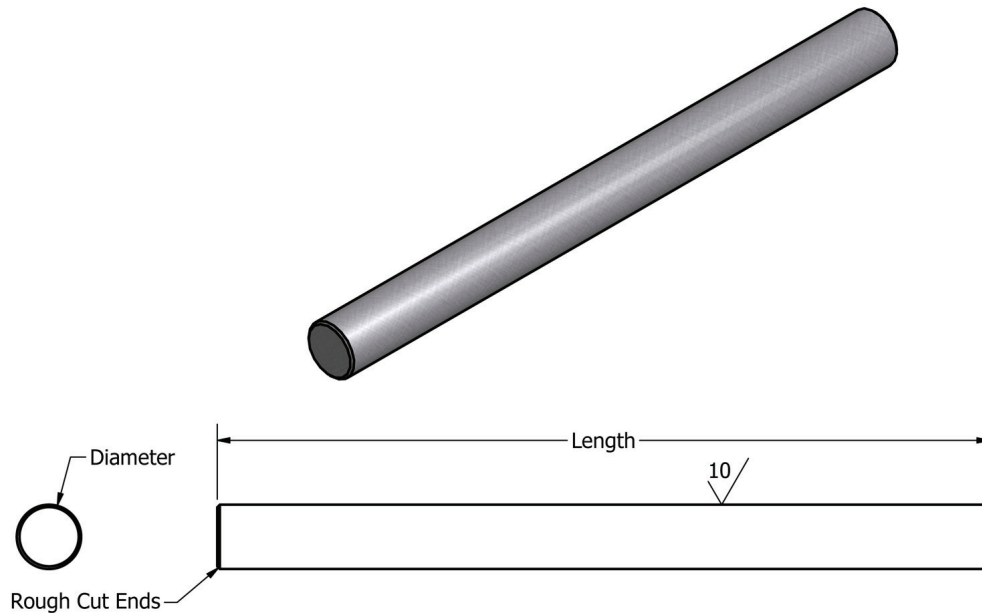


GS
GSM

Precision Ground Shafting

303 Stainless

12"-24"-36" and 600 - 900mm Lengths



- + Precision ground 303 Stainless Steel
- + Toleranced for ball bearings, available in inch and metric sizes.
- + Perfect for use with: ball bearings, pulleys, couplings, gears, any rotating components
- + From stock delivery
- + Other materials available
- + Special sizes are available please ask
- + Customizing: grooves, journals, flats, drill holes, thread + tapped holes, chamfers, special diameters, special lengths

Precision Ground Shafting

303 Stainless 12"-24"-36" Lengths

These shafts are ideal for use with:

- Ball bearings
- Pulleys
- Couplings
- Gears
- Any rotating component

Customizing is available

- Grooves
- Journals
- Flats
- Drill holes
- Chamfers
- Special lengths

Special sizes are available please ask

| REF. | DIAMETER (In.) | LENGTH | PART NO. |
|-------|------------------|-------------------|------------|
| 1/32 | .0313 -.0002 | 12 inches ±1/8 | GS12-0313 |
| 1/32 | .0317 -.0002 | | GS12-0317 |
| 3/64 | .0467 -.0002 | | GS12-0467 |
| 1/16 | .0622 -.0002 | | GS12-0622 |
| 1/16 | .0626 -.0002 | | GS12-0626 |
| 5/64 | .0778 -.0002 | | GS12-0778 |
| 5/64 | .0781 -.0002 | | GS12-0781 |
| 5/64 | .0786 -.0002 | | GS12-0786 |
| 3/32 | .0934 -.0002 | | GS12-0934 |
| 3/32 | .0938 -.0002 | | GS12-0938 |
| 1/8 | .1247 -.0002 | 24 inches ±1/8 | GS24-1247 |
| 1/8 | .1250 -.0002 | | GS24-1250 |
| 1/8 | .1255 -.0002 | | GS24-1255 |
| 5/32 | .1559 -.0002 | | GS24-1559 |
| 5/32 | .1562 -.0002 | | GS24-1562 |
| 5/32 | .1567 -.0002 | | GS24-1567 |
| 3/16 | .1872 -.0002 | | GS24-1872 |
| 3/16 | .1875 -.0002 | | GS24-1875 |
| 3/16 | .1880 -.0002 | | GS24-1880 |
| 7/32 | .2184 -.0002 | | GS24-2184 |
| 7/32 | .2187 -.0002 | GS24-2187 | |
| 7/32 | .2192 -.0002 | GS24-2192 | |
| 1/4 | .2497 -.0002 | 36 inches ±1/8 | GS36-2497 |
| 1/4 | .2500 -.0002 | | GS36-2500 |
| 1/4 | .2505 -.0002 | | GS36-2505 |
| 3/8 | .3747 -.0002 | | GS36-3747 |
| 3/8 | .3750 -.0002 | | GS36-3750 |
| 3/8 | .3755 -.0002 | | GS36-3755 |
| 1/2 | .4997 -.0002 | | GS36-4997 |
| 1/2 | .5000 -.0002 | | GS36-5000 |
| 1/2 | .5005 -.0002 | | GS36-5005 |
| 5/8 | .6247 -.0004 | | GS36-6247 |
| 5/8 | .6250 -.0004 | | GS36-6250 |
| 5/8 | .6255 -.0004 | | GS36-6255 |
| 3/4 | .7497 -.0004 | | GS36-7497 |
| 3/4 | .7500 -.0004 | | GS36-7500 |
| 3/4 | .7505 -.0004 | | GS36-7505 |
| 1" | .9997 -.0004 | | GS36-9997 |
| 1" | 1.0000 -.0004 | | GS36-10000 |
| 1" | 1.0005 -.0004 | | GS36-10005 |
| 1-1/4 | 1.2497 -.0004 | GS36-12497 | |

See next page for metric

Precision Ground Shafting

303 Stainless 600 - 900mm Lengths

These shafts are ideal for use with:

- Ball bearings
- Pulleys
- Couplings
- Gears
- Any rotating component

Customizing is available

- Grooves
- Journals
- Flats
- Drill holes
- Chamfers
- Special lengths

Special sizes are available please ask

| REF. | DIAMETER (mm) | LENGTH | PART NO. |
|------|-----------------|---------------|-------------|
| 3mm | 2,992 -0,005 | 600mm ±3mm | GSM60-2992 |
| 3mm | 3,000 -0,005 | | GSM60-3000 |
| 4mm | 3,992 -0,005 | | GSM60-3992 |
| 4mm | 3,999 -0,005 | | GSM60-3999 |
| 6mm | 5,993 -0,005 | | GSM60-5993 |
| 6mm | 6,000 -0,005 | | GSM60-6000 |
| 7mm | 6,992 -0,005 | | GSM60-6992 |
| 7mm | 7,000 -0,005 | | GSM60-7000 |
| 8mm | 7,993 -0,005 | | GSM60-7993 |
| 8mm | 8,000 -0,005 | | GSM60-8000 |
| 5mm | 4,991 -0,005 | 900mm ±3mm | GSM90-4991 |
| 6mm | 5,992 -0,005 | | GSM90-5992 |
| 7mm | 6,992 -0,005 | | GSM90-6992 |
| 8mm | 7,993 -0,005 | | GSM90-7993 |
| 9mm | 8,992 -0,005 | | GSM90-8992 |
| 10mm | 9,992 -0,005 | | GSM90-9992 |
| 12mm | 11,991 -0,005 | | GSM90-11991 |
| 13mm | 12,993 -0,005 | | GSM90-12993 |
| 14mm | 13,993 -0,005 | | GSM90-13993 |
| 15mm | 14,991 -0,005 | | GSM90-14991 |
| 16mm | 15,994 -0,008 | | GSM90-15974 |
| 20mm | 19,992 -0,008 | | GSM90-19992 |
| 25mm | 24,993 -0,008 | | GSM90-24993 |
| 30mm | 29,992 -0,008 | GSM90-29992 | |