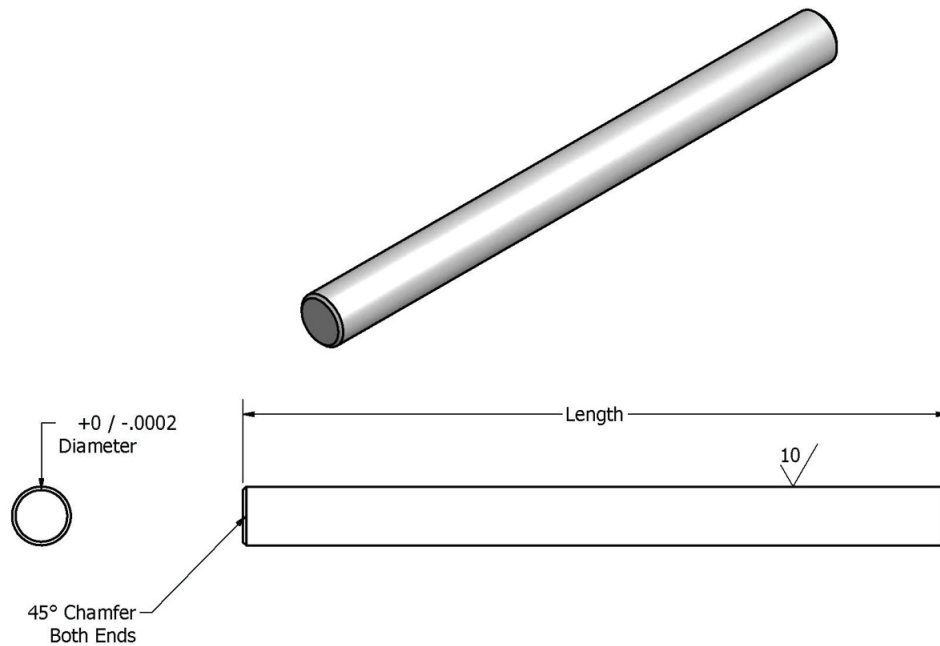


GS
GS2-GS8

Precision Ground 303 Stainless Shafting

400 Lengths from 1" to 36" in 6 diameters
Bearing Toleranced



- + Precision ground 303 Stainless Steel
- + 400 Lengths from 1" to 36" in 6 diameters
- + Toleranced for ball bearings
- + Perfect for use with: ball bearings, pulleys, couplings, gears, any rotating components
- + From stock delivery
- + Straightness within .0003"/Inch for 1/8", 3/16", 1/4" diameters
- + Straightness within .0004"/Inch for all other diameters
- + Special sizes and materials are available please ask
- + Customizing: grooves, journals, flats, drill holes, chamfers, special diameters, special lengths

Precision Ground 303 Stainless Shafting

400 Lengths from 1" to 36" in 6 diameters
Bearing Toleranced

Bearing Toleranced

Diameter +0, -.0002"

Additional specifications

- + Straightness within .0003"/Inch
for 1/8", 3/16", 1/4" diameters
- + Straightness within .0004"/Inch
for all other diameters
- + 10 Micro finish
- + Length \pm 0.01"

These shafts are ideal for use with:

- Ball bearings
- Pulleys
- Couplings
- Gears
- Any rotating component

Customizing is available

- Grooves
- Journals
- Flats
- Drill holes
- Chamfers
- Special lengths

Part Number	Diameter Actual	Length	Chamfer
GS2-10	0.1247	1.000	.010 x 45°
GS2-11	0.1247	1.125	.010 x 45°
GS2-12	0.1247	1.250	.010 x 45°
GS2-13	0.1247	1.375	.010 x 45°
GS2-15	0.1247	1.500	.010 x 45°
GS2-16	0.1247	1.625	.010 x 45°
GS2-17	0.1247	1.750	.010 x 45°
GS2-18	0.1247	1.875	.010 x 45°
GS2-20	0.1247	2.000	.010 x 45°
GS2-21	0.1247	2.125	.010 x 45°
GS2-22	0.1247	2.250	.010 x 45°
GS2-23	0.1247	2.375	.010 x 45°
GS2-25	0.1247	2.500	.010 x 45°
GS2-26	0.1247	2.625	.010 x 45°
GS2-27	0.1247	2.750	.010 x 45°
GS2-28	0.1247	2.875	.010 x 45°
GS2-30	0.1247	3.000	.010 x 45°
GS2-31	0.1247	3.125	.010 x 45°
GS2-32	0.1247	3.250	.010 x 45°
GS2-33	0.1247	3.375	.010 x 45°
GS2-35	0.1247	3.500	.010 x 45°
GS2-36	0.1247	3.625	.010 x 45°
GS2-37	0.1247	3.750	.010 x 45°
GS2-38	0.1247	3.875	.010 x 45°
GS2-40	0.1247	4.000	.010 x 45°
GS2-41	0.1247	4.125	.010 x 45°
GS2-42	0.1247	4.250	.010 x 45°
GS2-43	0.1247	4.375	.010 x 45°
GS2-45	0.1247	4.500	.010 x 45°
GS2-46	0.1247	4.625	.010 x 45°
GS2-47	0.1247	4.750	.010 x 45°
GS2-48	0.1247	4.875	.010 x 45°
GS2-50	0.1247	5.000	.010 x 45°
GS2-51	0.1247	5.125	.010 x 45°
GS2-52	0.1247	5.250	.010 x 45°
GS2-53	0.1247	5.375	.010 x 45°
GS2-55	0.1247	5.500	.010 x 45°
GS2-56	0.1247	5.625	.010 x 45°
GS2-57	0.1247	5.750	.010 x 45°
GS2-58	0.1247	5.875	.010 x 45°
GS2-60	0.1247	6.000	.010 x 45°

Precision Ground 303 Stainless Shafting

400 Lengths from 1" to 36" in 6 diameters
Bearing Toleranced

Bearing Toleranced

Diameter +0, -.0002"

Additional specifications

- + Straightness within .0003"/Inch
for 1/8", 3/16", 1/4" diameters
- + Straightness within .0004"/Inch
for all other diameters
- + 10 Micro finish
- + Length \pm 0.01"

These shafts are ideal for use with:

- Ball bearings
- Pulleys
- Couplings
- Gears
- Any rotating component

Customizing is available

- Grooves
- Journals
- Flats
- Drill holes
- Chamfers
- Special lengths

Part Number	Diameter Actual	Length	Chamfer
GS2-62	0.1247	6.250	.010 x 45°
GS2-63	0.1247	6.375	.010 x 45°
GS2-65	0.1247	6.500	.010 x 45°
GS2-66	0.1247	6.625	.010 x 45°
GS2-67	0.1247	6.750	.010 x 45°
GS2-70	0.1247	7.000	.010 x 45°
GS2-72	0.1247	7.250	.010 x 45°
GS2-75	0.1247	7.500	.010 x 45°
GS2-77	0.1247	7.750	.010 x 45°
GS2-80	0.1247	8.000	.010 x 45°
GS2-82	0.1247	8.250	.010 x 45°
GS2-83	0.1247	8.375	.010 x 45°
GS2-85	0.1247	8.500	.010 x 45°
GS2-90	0.1247	9.000	.010 x 45°
GS2-95	0.1247	9.500	.010 x 45°
GS2-100	0.1247	10.000	.010 x 45°
GS2-110	0.1247	11.000	.010 x 45°
GS2-120	0.1247	12.000	.010 x 45°
GS2-130	0.1247	13.000	.010 x 45°
GS2-140	0.1247	14.000	.010 x 45°
GS2-150	0.1247	15.000	.010 x 45°
GS2-160	0.1247	16.000	.010 x 45°
GS2-180	0.1247	18.000	.010 x 45°
GS2-200	0.1247	20.000	.010 x 45°
GS2-220	0.1247	22.000	.010 x 45°
GS2-240	0.1247	24.000	.010 x 45°
GS3-10	0.1872	1.000	.020 x 45°
GS3-11	0.1872	1.125	.020 x 45°
GS3-12	0.1872	1.250	.020 x 45°
GS3-13	0.1872	1.375	.020 x 45°
GS3-15	0.1872	1.500	.020 x 45°
GS3-16	0.1872	1.625	.020 x 45°
GS3-17	0.1872	1.750	.020 x 45°
GS3-18	0.1872	1.875	.020 x 45°
GS3-20	0.1872	2.000	.020 x 45°
GS3-21	0.1872	2.125	.020 x 45°
GS3-22	0.1872	2.250	.020 x 45°
GS3-23	0.1872	2.375	.020 x 45°
GS3-25	0.1872	2.500	.020 x 45°
GS3-26	0.1872	2.625	.020 x 45°
GS3-27	0.1872	2.750	.020 x 45°
GS3-28	0.1872	2.875	.020 x 45°
GS3-30	0.1872	3.000	.020 x 45°
GS3-31	0.1872	3.125	.020 x 45°
GS3-32	0.1872	3.250	.020 x 45°

Precision Ground 303 Stainless Shafting

400 Lengths from 1" to 36" in 6 diameters
Bearing Toleranced

Part Number	Diameter Actual	Length	Chamfer
GS3-33	0.1872	3.375	.020 x 45°
GS3-35	0.1872	3.500	.020 x 45°
GS3-36	0.1872	3.625	.020 x 45°
GS3-37	0.1872	3.750	.020 x 45°
GS3-38	0.1872	3.875	.020 x 45°
GS3-40	0.1872	4.000	.020 x 45°
GS3-41	0.1872	4.125	.020 x 45°
GS3-42	0.1872	4.250	.020 x 45°
GS3-43	0.1872	4.375	.020 x 45°
GS3-45	0.1872	4.500	.020 x 45°
GS3-46	0.1872	4.625	.020 x 45°
GS3-47	0.1872	4.750	.020 x 45°
GS3-48	0.1872	4.875	.020 x 45°
GS3-50	0.1872	5.000	.020 x 45°
GS3-51	0.1872	5.125	.020 x 45°
GS3-52	0.1872	5.250	.020 x 45°
GS3-53	0.1872	5.375	.020 x 45°
GS3-55	0.1872	5.500	.020 x 45°
GS3-56	0.1872	5.625	.020 x 45°
GS3-57	0.1872	5.750	.020 x 45°
GS3-58	0.1872	5.875	.020 x 45°
GS3-60	0.1872	6.000	.020 x 45°
GS3-61	0.1872	6.125	.020 x 45°
GS3-62	0.1872	6.250	.020 x 45°
GS3-63	0.1872	6.375	.020 x 45°
GS3-65	0.1872	6.500	.020 x 45°
GS3-66	0.1872	6.625	.020 x 45°
GS3-67	0.1872	6.750	.020 x 45°
GS3-70	0.1872	7.000	.020 x 45°
GS3-72	0.1872	7.250	.020 x 45°
GS3-75	0.1872	7.500	.020 x 45°
GS3-77	0.1872	7.750	.020 x 45°
GS3-80	0.1872	8.000	.020 x 45°
GS3-82	0.1872	8.250	.020 x 45°
GS3-85	0.1872	8.500	.020 x 45°
GS3-90	0.1872	9.000	.020 x 45°
GS3-95	0.1872	9.500	.020 x 45°
GS3-100	0.1872	10.000	.020 x 45°
GS3-110	0.1872	11.000	.020 x 45°
GS3-120	0.1872	12.000	.020 x 45°
GS3-130	0.1872	13.000	.020 x 45°
GS3-140	0.1872	14.000	.020 x 45°
GS3-150	0.1872	15.000	.020 x 45°
GS3-160	0.1872	16.000	.020 x 45°
GS3-180	0.1872	18.000	.020 x 45°
GS3-200	0.1872	20.000	.020 x 45°
GS3-220	0.1872	22.000	.020 x 45°
GS3-240	0.1872	24.000	.020 x 45°

Bearing Toleranced

Diameter +0, -.0002"

Additional specifications

- + Straightness within .0003"/Inch for 1/8", 3/16", 1/4" diameters
- + Straightness within .0004"/Inch for all other diameters
- + 10 Micro finish
- + Length \pm 0.01"

These shafts are ideal for use with:

- Ball bearings
- Pulleys
- Couplings
- Gears
- Any rotating component

Customizing is available

- Grooves
- Journals
- Flats
- Drill holes
- Chamfers
- Special lengths

Precision Ground 303 Stainless Shafting

400 Lengths from 1" to 36" in 6 diameters
Bearing Toleranced

Part Number	Diameter Actual	Length	Chamfer
GS4-10	0.2497	1.000	.030 x 45°
GS4-11	0.2497	1.125	.030 x 45°
GS4-12	0.2497	1.250	.030 x 45°
GS4-13	0.2497	1.375	.030 x 45°
GS4-15	0.2497	1.500	.030 x 45°
GS4-16	0.2497	1.625	.030 x 45°
GS4-17	0.2497	1.750	.030 x 45°
GS4-18	0.2497	1.875	.030 x 45°
GS4-20	0.2497	2.000	.030 x 45°
GS4-21	0.2497	2.125	.030 x 45°
GS4-22	0.2497	2.250	.030 x 45°
GS4-23	0.2497	2.375	.030 x 45°
GS4-25	0.2497	2.500	.030 x 45°
GS4-26	0.2497	2.625	.030 x 45°
GS4-27	0.2497	2.750	.030 x 45°
GS4-28	0.2497	2.875	.030 x 45°
GS4-30	0.2497	3.000	.030 x 45°
GS4-31	0.2497	3.125	.030 x 45°
GS4-32	0.2497	3.250	.030 x 45°
GS4-33	0.2497	3.375	.030 x 45°
GS4-35	0.2497	3.500	.030 x 45°
GS4-36	0.2497	3.625	.030 x 45°
GS4-37	0.2497	3.750	.030 x 45°
GS4-38	0.2497	3.875	.030 x 45°
GS4-40	0.2497	4.000	.030 x 45°
GS4-41	0.2497	4.125	.030 x 45°
GS4-42	0.2497	4.250	.030 x 45°
GS4-43	0.2497	4.375	.030 x 45°
GS4-45	0.2497	4.500	.030 x 45°
GS4-46	0.2497	4.625	.030 x 45°
GS4-47	0.2497	4.750	.030 x 45°
GS4-48	0.2497	4.875	.030 x 45°
GS4-50	0.2497	5.000	.030 x 45°
GS4-51	0.2497	5.125	.030 x 45°
GS4-52	0.2497	5.250	.030 x 45°
GS4-53	0.2497	5.375	.030 x 45°
GS4-55	0.2497	5.500	.030 x 45°
GS4-56	0.2497	5.625	.030 x 45°
GS4-57	0.2497	5.750	.030 x 45°
GS4-58	0.2497	5.875	.030 x 45°
GS4-60	0.2497	6.000	.030 x 45°
GS4-61	0.2497	6.125	.030 x 45°
GS4-62	0.2497	6.250	.030 x 45°

Bearing Toleranced

Diameter +0, -.0002"

Additional specifications

- + Straightness within .0003"/Inch
for 1/8", 3/16", 1/4" diameters
- + Straightness within .0004"/Inch
for all other diameters
- + 10 Micro finish
- + Length ± 0.01 "

These shafts are ideal for use with:

- Ball bearings
- Pulleys
- Couplings
- Gears
- Any rotating component

Customizing is available

- Grooves
- Journals
- Flats
- Drill holes
- Chamfers
- Special lengths

Precision Ground 303 Stainless Shafting

400 Lengths from 1" to 36" in 6 diameters
Bearing Toleranced

Bearing Toleranced

Diameter +0, -.0002"

Additional specifications

- + Straightness within .0003"/Inch for 1/8", 3/16", 1/4" diameters
- + Straightness within .0004"/Inch for all other diameters
- + 10 Micro finish
- + Length \pm 0.01"

These shafts are ideal for use with:

- Ball bearings
- Pulleys
- Couplings
- Gears
- Any rotating component

Customizing is available

- Grooves
- Journals
- Flats
- Drill holes
- Chamfers
- Special lengths

Part Number	Diameter Actual	Length	Chamfer
GS4-63	0.2497	6.375	.030 x 45°
GS4-65	0.2497	6.500	.030 x 45°
GS4-66	0.2497	6.625	.030 x 45°
GS4-67	0.2497	6.750	.030 x 45°
GS4-70	0.2497	7.000	.030 x 45°
GS4-72	0.2497	7.250	.030 x 45°
GS4-75	0.2497	7.500	.030 x 45°
GS4-77	0.2497	7.750	.030 x 45°
GS4-80	0.2497	8.000	.030 x 45°
GS4-82	0.2497	8.250	.030 x 45°
GS4-85	0.2497	8.500	.030 x 45°
GS4-90	0.2497	9.000	.030 x 45°
GS4-95	0.2497	9.500	.030 x 45°
GS4-100	0.2497	10.000	.030 x 45°
GS4-110	0.2497	11.000	.030 x 45°
GS4-120	0.2497	12.000	.030 x 45°
GS4-130	0.2497	13.000	.030 x 45°
GS4-140	0.2497	14.000	.030 x 45°
GS4-150	0.2497	15.000	.030 x 45°
GS4-160	0.2497	16.000	.030 x 45°
GS4-180	0.2497	18.000	.030 x 45°
GS4-200	0.2497	20.000	.030 x 45°
GS4-220	0.2497	22.000	.030 x 45°
GS4-240	0.2497	24.000	.030 x 45°
GS5-13	0.3122	1.375	.030 x 45°
GS5-15	0.3122	1.500	.030 x 45°
GS5-16	0.3122	1.625	.030 x 45°
GS5-17	0.3122	1.750	.030 x 45°
GS5-18	0.3122	1.875	.030 x 45°
GS5-20	0.3122	2.000	.030 x 45°
GS5-21	0.3122	2.125	.030 x 45°
GS5-22	0.3122	2.250	.030 x 45°
GS5-23	0.3122	2.375	.030 x 45°
GS5-25	0.3122	2.500	.030 x 45°
GS5-26	0.3122	2.625	.030 x 45°
GS5-27	0.3122	2.750	.030 x 45°
GS5-28	0.3122	2.875	.030 x 45°
GS5-30	0.3122	3.000	.030 x 45°
GS5-31	0.3122	3.125	.030 x 45°
GS5-32	0.3122	3.250	.030 x 45°
GS5-33	0.3122	3.375	.030 x 45°
GS5-35	0.3122	3.500	.030 x 45°
GS5-36	0.3122	3.625	.030 x 45°
GS5-37	0.3122	3.750	.030 x 45°
GS5-38	0.3122	3.875	.030 x 45°

Precision Ground 303 Stainless Shafting

400 Lengths from 1" to 36" in 6 diameters
Bearing Toleranced

Part Number	Diameter Actual	Length	Chamfer
GS5-40	0.3122	4.000	.030 x 45°
GS5-41	0.3122	4.125	.030 x 45°
GS5-42	0.3122	4.250	.030 x 45°
GS5-43	0.3122	4.375	.030 x 45°
GS5-45	0.3122	4.500	.030 x 45°
GS5-46	0.3122	4.625	.030 x 45°
GS5-47	0.3122	4.750	.030 x 45°
GS5-48	0.3122	4.875	.030 x 45°
GS5-50	0.3122	5.000	.030 x 45°
GS5-51	0.3122	5.125	.030 x 45°
GS5-52	0.3122	5.250	.030 x 45°
GS5-53	0.3122	5.375	.030 x 45°
GS5-55	0.3122	5.500	.030 x 45°
GS5-56	0.3122	5.625	.030 x 45°
GS5-57	0.3122	5.750	.030 x 45°
GS5-58	0.3122	5.875	.030 x 45°
GS5-60	0.3122	6.000	.030 x 45°
GS5-61	0.3122	6.125	.030 x 45°
GS5-62	0.3122	6.250	.030 x 45°
GS5-63	0.3122	6.375	.030 x 45°
GS5-65	0.3122	6.500	.030 x 45°
GS5-66	0.3122	6.625	.030 x 45°
GS5-67	0.3122	6.750	.030 x 45°
GS5-70	0.3122	7.000	.030 x 45°
GS5-72	0.3122	7.250	.030 x 45°
GS5-75	0.3122	7.500	.030 x 45°
GS5-77	0.3122	7.750	.030 x 45°
GS5-80	0.3122	8.000	.030 x 45°
GS5-82	0.3122	8.250	.030 x 45°
GS5-85	0.3122	8.500	.030 x 45°
GS5-90	0.3122	9.000	.030 x 45°
GS5-95	0.3122	9.500	.030 x 45°
GS5-100	0.3122	10.000	.030 x 45°
GS5-110	0.3122	11.000	.030 x 45°
GS5-120	0.3122	12.000	.030 x 45°
GS5-130	0.3122	13.000	.030 x 45°
GS5-140	0.3122	14.000	.030 x 45°
GS5-150	0.3122	15.000	.030 x 45°
GS5-160	0.3122	16.000	.030 x 45°
GS5-180	0.3122	18.000	.030 x 45°
GS5-200	0.3122	20.000	.030 x 45°
GS5-220	0.3122	22.000	.030 x 45°
GS5-240	0.3122	24.000	.030 x 45°

Bearing Toleranced

Diameter +0, -.0002"

Additional specifications

- + Straightness within .0003"/Inch for 1/8", 3/16", 1/4" diameters
- + Straightness within .0004"/Inch for all other diameters
- + 10 Micro finish
- + Length \pm 0.01"

These shafts are ideal for use with:

- Ball bearings
- Pulleys
- Couplings
- Gears
- Any rotating component

Customizing is available

- Grooves
- Journals
- Flats
- Drill holes
- Chamfers
- Special lengths

Precision Ground 303 Stainless Shafting

400 Lengths from 1" to 36" in 6 diameters
Bearing Toleranced

Bearing Toleranced

Diameter +0, -.0002"

Additional specifications

- + Straightness within .0003"/Inch
for 1/8", 3/16", 1/4" diameters
- + Straightness within .0004"/Inch
for all other diameters
- + 10 Micro finish
- + Length \pm 0.01"

These shafts are ideal for use with:

- Ball bearings
- Pulleys
- Couplings
- Gears
- Any rotating component

Customizing is available

- Grooves
- Journals
- Flats
- Drill holes
- Chamfers
- Special lengths

Part Number	Diameter Actual	Length	Chamfer
GS6-18	0.3747	1.875	.030 x 45°
GS6-20	0.3747	2.000	.030 x 45°
GS6-21	0.3747	2.125	.030 x 45°
GS6-22	0.3747	2.250	.030 x 45°
GS6-23	0.3747	2.375	.030 x 45°
GS6-25	0.3747	2.500	.030 x 45°
GS6-26	0.3747	2.625	.030 x 45°
GS6-27	0.3747	2.750	.030 x 45°
GS6-28	0.3747	2.875	.030 x 45°
GS6-30	0.3747	3.000	.030 x 45°
GS6-31	0.3747	3.125	.030 x 45°
GS6-32	0.3747	3.250	.030 x 45°
GS6-33	0.3747	3.375	.030 x 45°
GS6-35	0.3747	3.500	.030 x 45°
GS6-36	0.3747	3.625	.030 x 45°
GS6-37	0.3747	3.750	.030 x 45°
GS6-38	0.3747	3.875	.030 x 45°
GS6-40	0.3747	4.000	.030 x 45°
GS6-41	0.3747	4.125	.030 x 45°
GS6-42	0.3747	4.250	.030 x 45°
GS6-43	0.3747	4.375	.030 x 45°
GS6-45	0.3747	4.500	.030 x 45°
GS6-46	0.3747	4.625	.030 x 45°
GS6-47	0.3747	4.750	.030 x 45°
GS6-48	0.3747	4.875	.030 x 45°
GS6-50	0.3747	5.000	.030 x 45°
GS6-51	0.3747	5.125	.030 x 45°
GS6-52	0.3747	5.250	.030 x 45°
GS6-53	0.3747	5.375	.030 x 45°
GS6-55	0.3747	5.500	.030 x 45°
GS6-56	0.3747	5.625	.030 x 45°
GS6-57	0.3747	5.750	.030 x 45°
GS6-58	0.3747	5.875	.030 x 45°
GS6-60	0.3747	6.000	.030 x 45°
GS6-61	0.3747	6.125	.030 x 45°
GS6-62	0.3747	6.250	.030 x 45°
GS6-63	0.3747	6.375	.030 x 45°
GS6-65	0.3747	6.500	.030 x 45°
GS6-66	0.3747	6.625	.030 x 45°
GS6-67	0.3747	6.750	.030 x 45°
GS6-70	0.3747	7.000	.030 x 45°
GS6-72	0.3747	7.250	.030 x 45°
GS6-75	0.3747	7.500	.030 x 45°
GS6-77	0.3747	7.750	.030 x 45°
GS6-80	0.3747	8.000	.030 x 45°
GS6-82	0.3747	8.250	.030 x 45°
GS6-85	0.3747	8.500	.030 x 45°
GS6-90	0.3747	9.000	.030 x 45°

Precision Ground 303 Stainless Shafting

400 Lengths from 1" to 36" in 6 diameters
Bearing Toleranced

Bearing Toleranced

Diameter +0, -.0002"

Additional specifications

- + Straightness within .0003"/Inch for 1/8", 3/16", 1/4" diameters
- + Straightness within .0004"/Inch for all other diameters
- + 10 Micro finish
- + Length \pm 0.01"

These shafts are ideal for use with:

- Ball bearings
- Pulleys
- Couplings
- Gears
- Any rotating component

Customizing is available

- Grooves
- Journals
- Flats
- Drill holes
- Chamfers
- Special lengths

Part Number	Diameter Actual	Length	Chamfer
GS6-95	0.3747	9.500	.030 x 45°
GS6-100	0.3747	10.000	.030 x 45°
GS6-110	0.3747	11.000	.030 x 45°
GS6-120	0.3747	12.000	.030 x 45°
GS6-130	0.3747	13.000	.030 x 45°
GS6-140	0.3747	14.000	.030 x 45°
GS6-150	0.3747	15.000	.030 x 45°
GS6-160	0.3747	16.000	.030 x 45°
GS6-180	0.3747	18.000	.030 x 45°
GS6-200	0.3747	20.000	.030 x 45°
GS6-220	0.3747	22.000	.030 x 45°
GS6-240	0.3747	24.000	.030 x 45°
GS6-260	0.3747	26.000	.030 x 45°
GS6-280	0.3747	28.000	.030 x 45°
GS6-300	0.3747	30.000	.030 x 45°
GS6-320	0.3747	32.000	.030 x 45°
GS6-340	0.3747	34.000	.030 x 45°
GS6-360	0.3747	36.000	.030 x 45°
GS8-20	0.4997	2.000	.030 x 45°
GS8-21	0.4997	2.125	.030 x 45°
GS8-22	0.4997	2.250	.030 x 45°
GS8-23	0.4997	2.375	.030 x 45°
GS8-25	0.4997	2.500	.030 x 45°
GS8-26	0.4997	2.625	.030 x 45°
GS8-27	0.4997	2.750	.030 x 45°
GS8-28	0.4997	2.875	.030 x 45°
GS8-30	0.4997	3.000	.030 x 45°
GS8-31	0.4997	3.125	.030 x 45°
GS8-32	0.4997	3.250	.030 x 45°
GS8-33	0.4997	3.375	.030 x 45°
GS8-35	0.4997	3.500	.030 x 45°
GS8-36	0.4997	3.625	.030 x 45°
GS8-37	0.4997	3.750	.030 x 45°
GS8-38	0.4997	3.875	.030 x 45°
GS8-40	0.4997	4.000	.030 x 45°
GS8-41	0.4997	4.125	.030 x 45°
GS8-42	0.4997	4.250	.030 x 45°
GS8-43	0.4997	4.375	.030 x 45°
GS8-45	0.4997	4.500	.030 x 45°
GS8-46	0.4997	4.625	.030 x 45°
GS8-47	0.4997	4.750	.030 x 45°
GS8-48	0.4997	4.875	.030 x 45°
GS8-50	0.4997	5.000	.030 x 45°
GS8-51	0.4997	5.125	.030 x 45°
GS8-52	0.4997	5.250	.030 x 45°

Precision Ground 303 Stainless Shafting

400 Lengths from 1" to 36" in 6 diameters
Bearing Toleranced

Part Number	Diameter Actual	Length	Chamfer
GS8-53	0.4997	5.375	.030 x 45°
GS8-55	0.4997	5.500	.030 x 45°
GS8-56	0.4997	5.625	.030 x 45°
GS8-57	0.4997	5.750	.030 x 45°
GS8-58	0.4997	5.875	.030 x 45°
GS8-60	0.4997	6.000	.030 x 45°
GS8-61	0.4997	6.125	.030 x 45°
GS8-62	0.4997	6.250	.030 x 45°
GS8-63	0.4997	6.375	.030 x 45°
GS8-65	0.4997	6.500	.030 x 45°
GS8-66	0.4997	6.625	.030 x 45°
GS8-67	0.4997	6.750	.030 x 45°
GS8-70	0.4997	7.000	.030 x 45°
GS8-72	0.4997	7.250	.030 x 45°
GS8-75	0.4997	7.500	.030 x 45°
GS8-77	0.4997	7.750	.030 x 45°
GS8-80	0.4997	8.000	.030 x 45°
GS8-82	0.4997	8.250	.030 x 45°
GS8-85	0.4997	8.500	.030 x 45°
GS8-90	0.4997	9.000	.030 x 45°
GS8-95	0.4997	9.500	.030 x 45°
GS8-100	0.4997	10.000	.030 x 45°
GS8-110	0.4997	11.000	.030 x 45°
GS8-120	0.4997	12.000	.030 x 45°
GS8-130	0.4997	13.000	.030 x 45°
GS8-140	0.4997	14.000	.030 x 45°
GS8-150	0.4997	15.000	.030 x 45°
GS8-160	0.4997	16.000	.030 x 45°
GS8-180	0.4997	18.000	.030 x 45°
GS8-200	0.4997	20.000	.030 x 45°
GS8-220	0.4997	22.000	.030 x 45°
GS8-240	0.4997	24.000	.030 x 45°
GS8-260	0.4997	26.000	.030 x 45°
GS8-280	0.4997	28.000	.030 x 45°
GS8-300	0.4997	30.000	.030 x 45°
GS8-320	0.4997	32.000	.030 x 45°
GS8-340	0.4997	34.000	.030 x 45°
GS8-360	0.4997	36.000	.030 x 45°

Bearing Toleranced

Diameter +0, -.0002"

Additional specifications

- + Straightness within .0003"/Inch for 1/8", 3/16", 1/4" diameters
- + Straightness within .0004"/Inch for all other diameters
- + 10 Micro finish
- + Length \pm 0.01"

These shafts are ideal for use with:

- Ball bearings
- Pulleys
- Couplings
- Gears
- Any rotating component

Customizing is available

- Grooves
- Journals
- Flats
- Drill holes
- Chamfers
- Special lengths